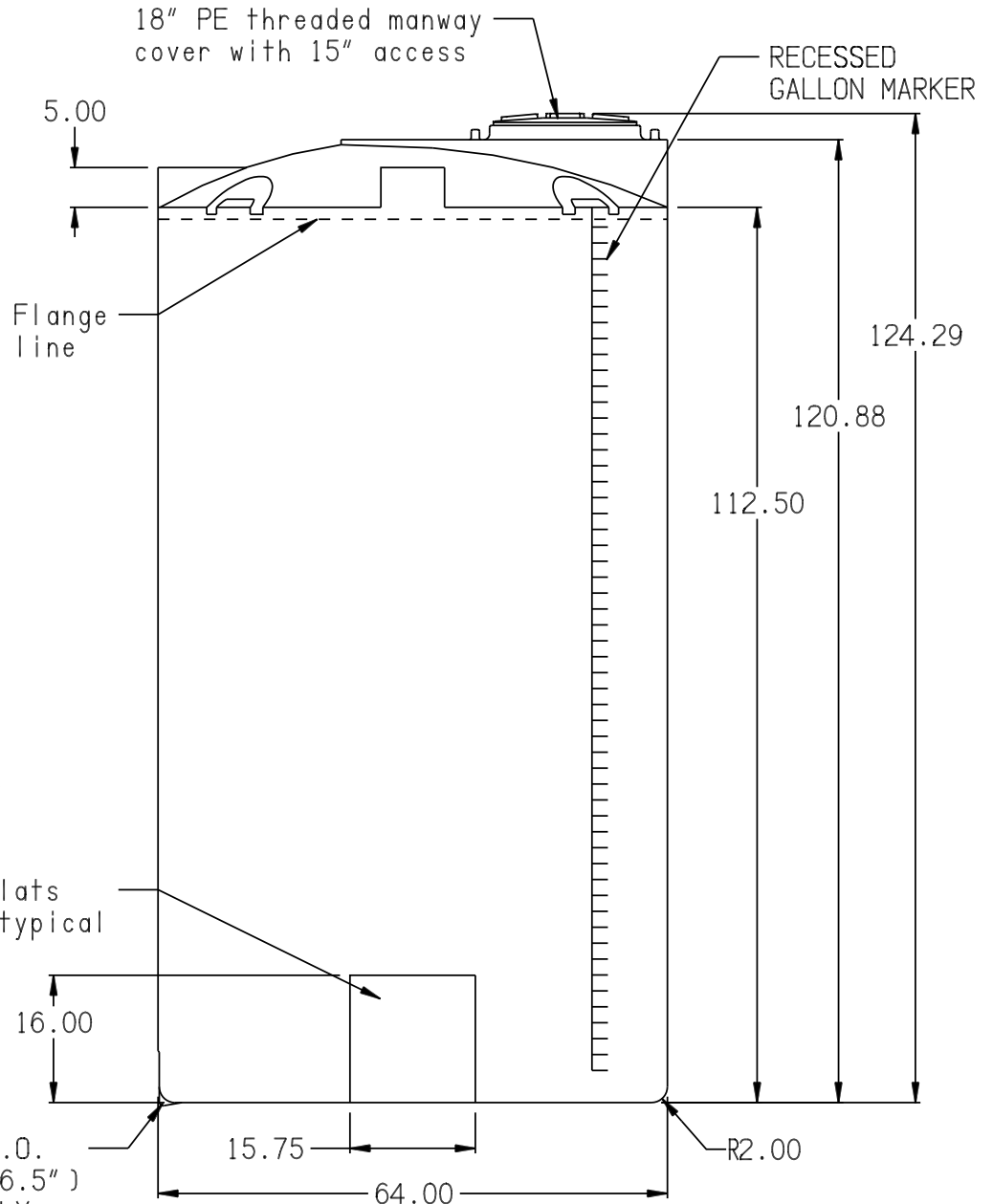
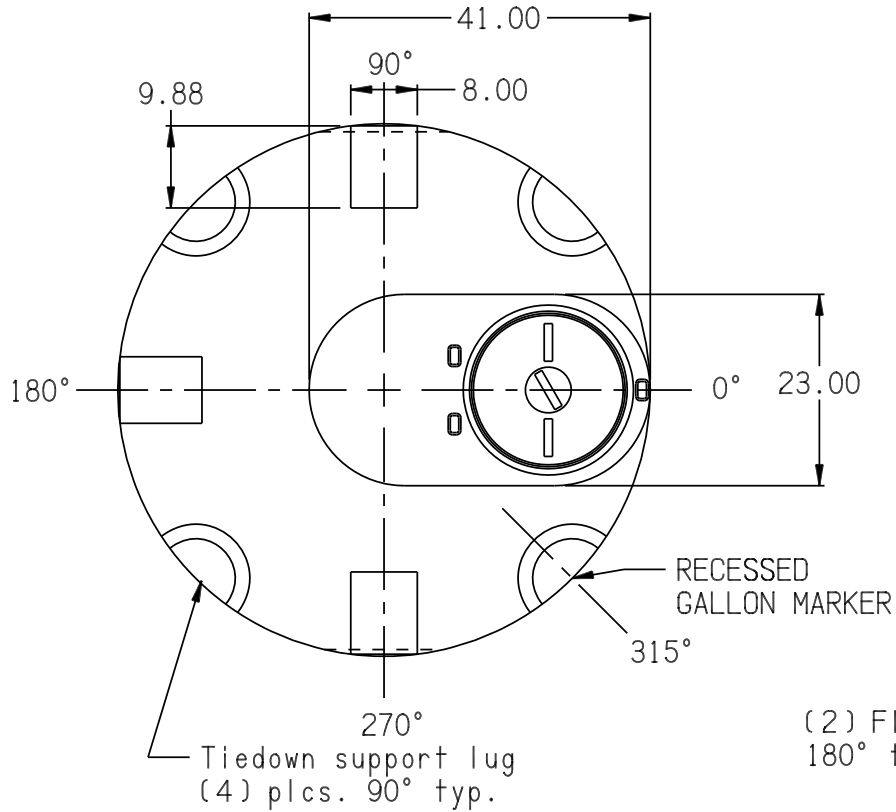




Corrosion Resistant Equipment CO., Inc.

24445 S. Klemme Road ■ Crete, IL ■ 60417
 Phone (708) 367-1111 ■ Fax (708) 367-1160
 www.crecoinc.com



2"-3" S.U.M.O.
 flat (6.5"x6.5")
 S.U.M.O. ONLY
 @ THIS LOCATION

SNYDER INDUSTRIES INC.

* BASE FITTINGS TO BE LEFT INSTALLED AT TIME OF SHIPMENT PER SII PROCEDURE
 * Consult Snyder's Guidelines for Use and Installation prior to delivery.
 Available on-line at www.snydernet.com

(all dimensions in inches)
 PART # TANK: 184000N-- (L)

1,550 GALLON FLAT BOTTOM TANK

REF#: 0000

04/01/09