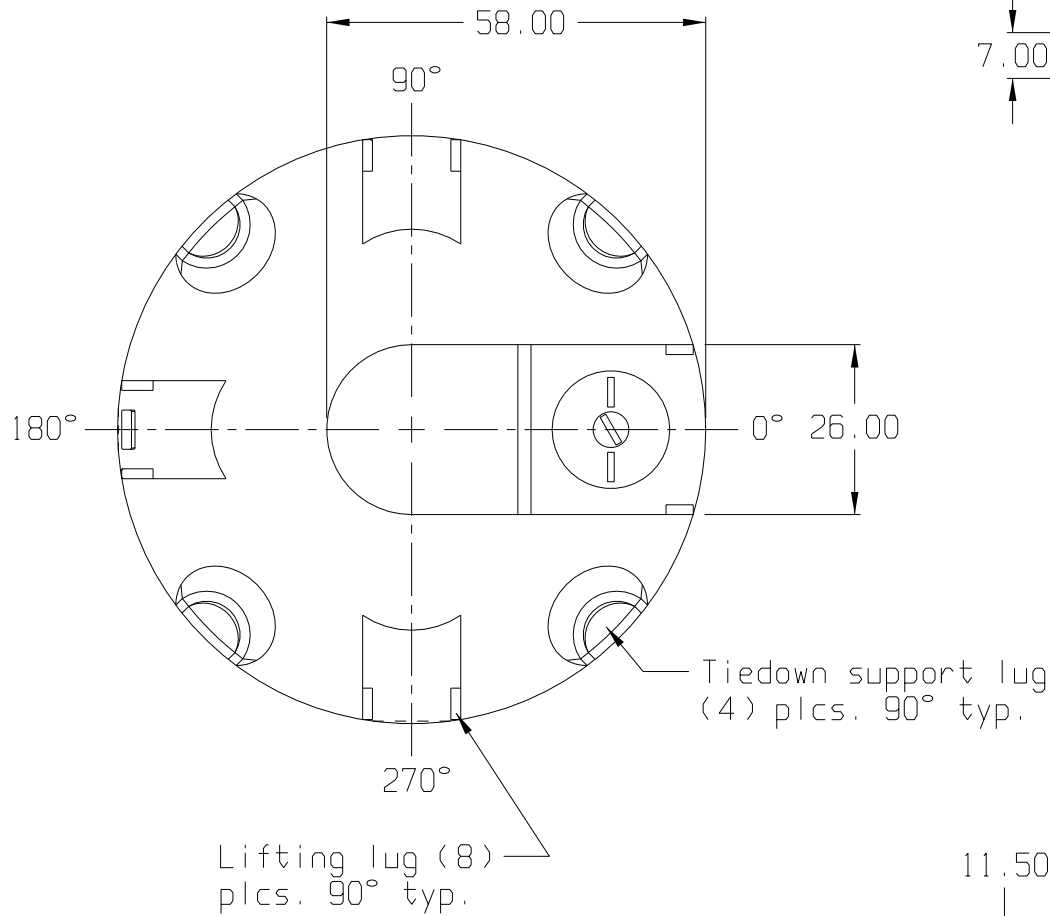


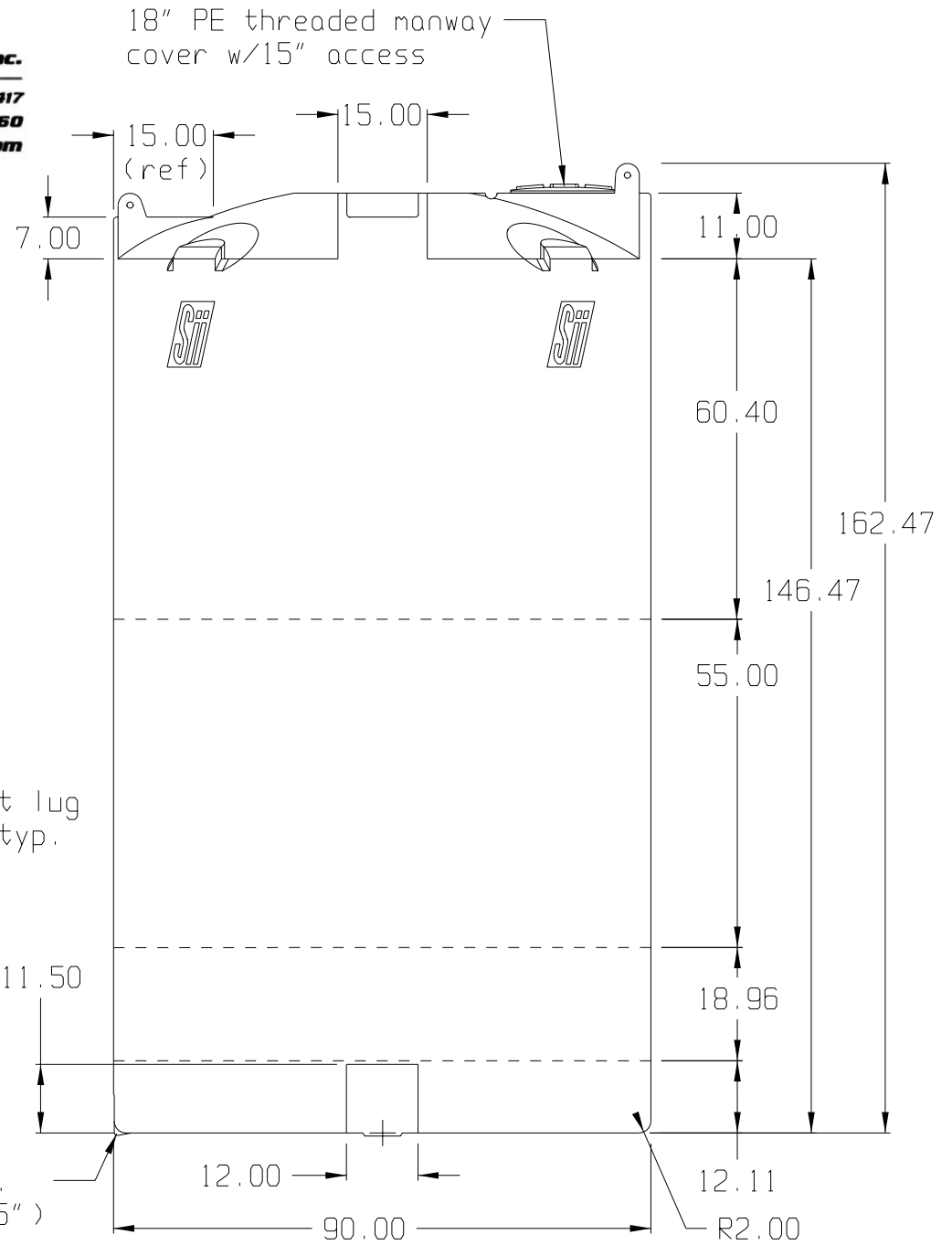


**Corrosion Resistant Equipment CO., Inc.**

24445 S. Klemme Road ■ Crete, IL ■ 60417  
 Phone (708) 367-1111 ■ Fax (708) 367-1160  
 www.crecoinc.com



2"-3" S.U.M.O.  
 flat (6.5"x6.5")  
 @ 180°, 270°



(all dimensions in inches)

PART # TANK: 5190--L

BASE FITTINGS TO BE LEFT INSTALLED AT TIME OF SHIPMENT PER Sii PROCEDURE

3,900 GALLON FLAT BOTTOM TANK

REF#: 0000

10/18/02

SNYDER INDUSTRIES INC.