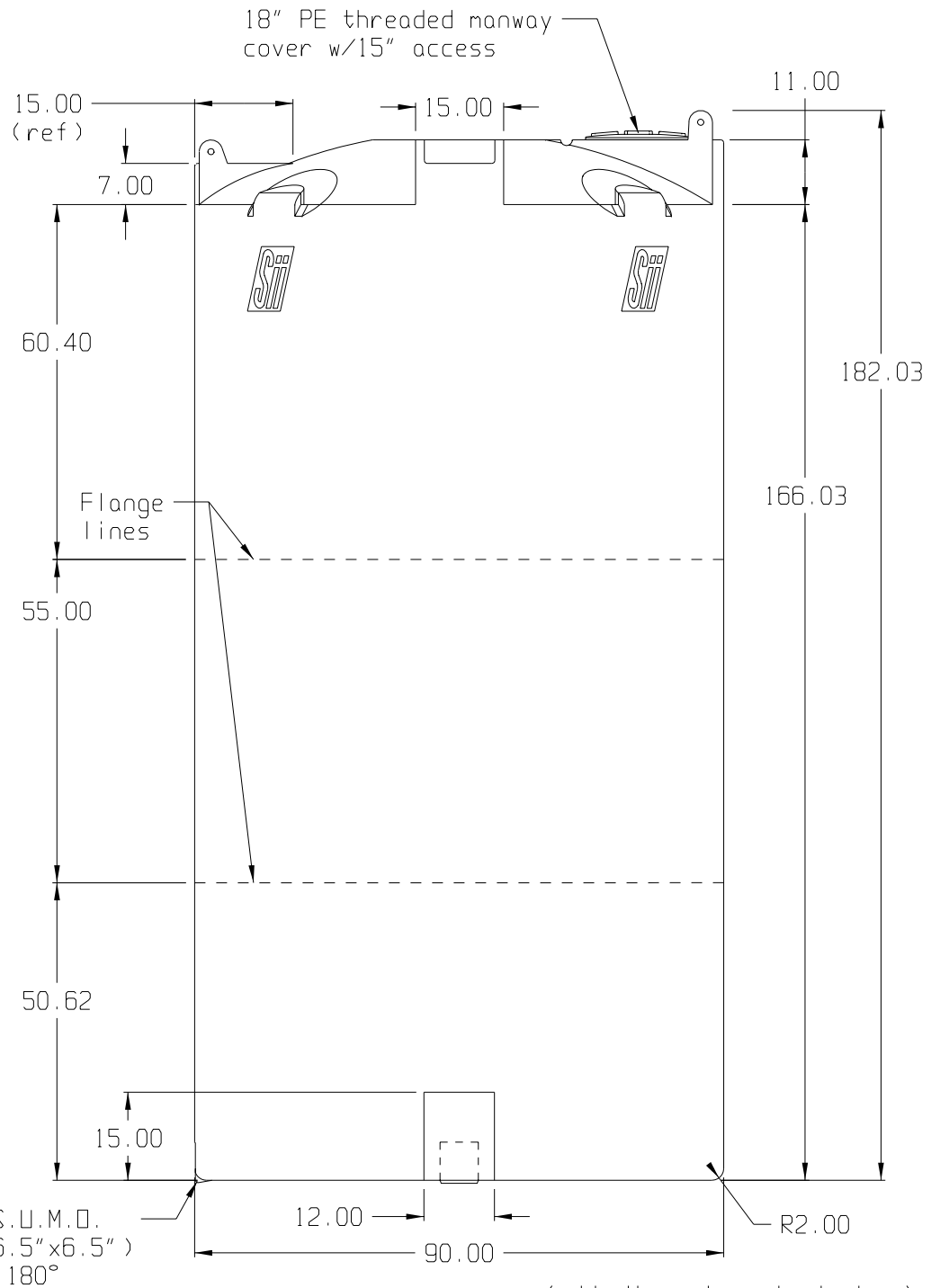


Corrosion Resistant Equipment CO., Inc.

24445 S. Klemme Road ■ Crete, IL ■ 60417
Phone (708) 367-1111 ■ Fax (708) 367-1160
www.crecoinc.com



2"-3" S.U.M.O.
flat (6.5"x6.5")
@ 90°, 180°

(all dimensions in inches)

PART # TANK: 5210--L

REF#: 0000

06/27/02

BASE FITTINGS TO BE LEFT INSTALLED AT TIME OF SHIPMENT PER Sii PROCEDURE

4,400 GALLON FLAT BOTTOM TANK