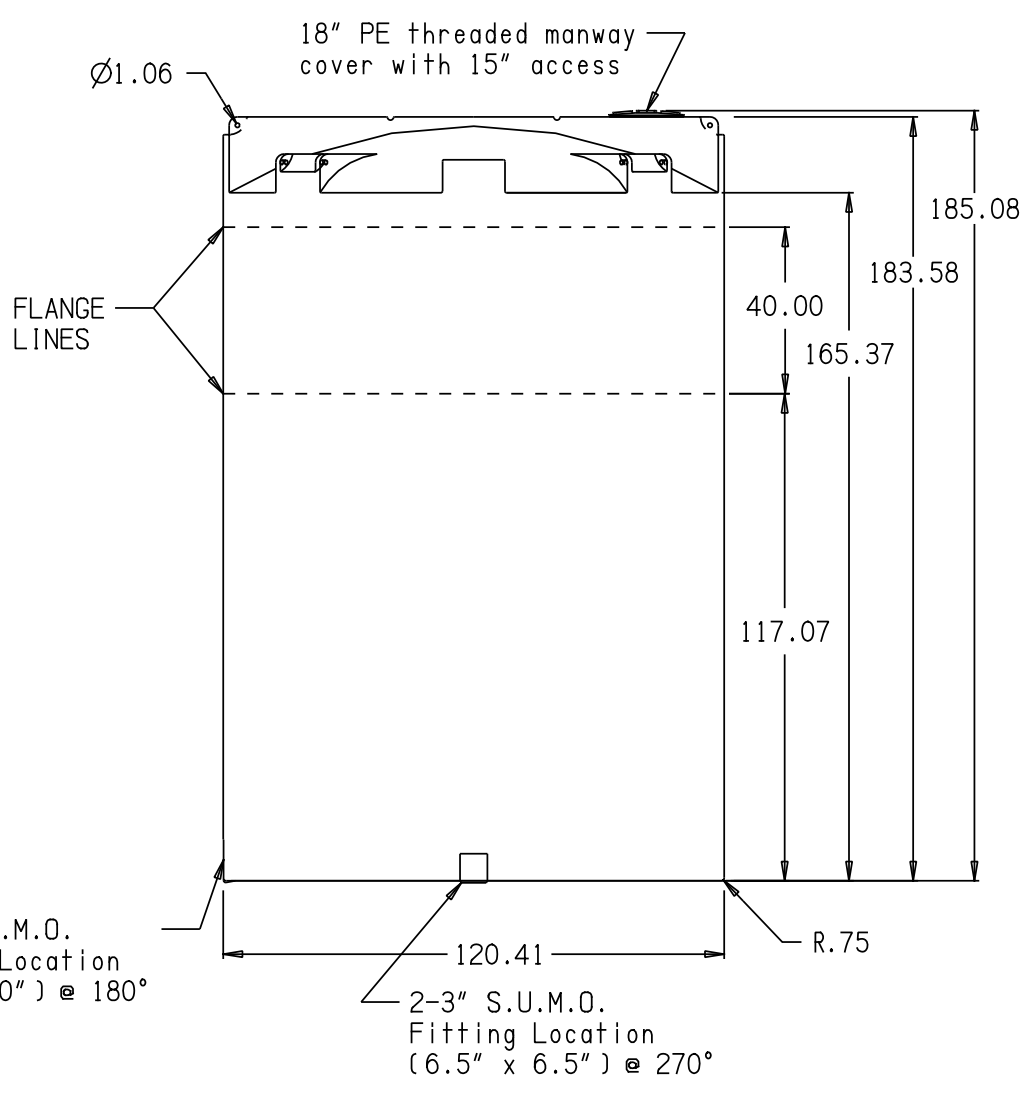


Tie down support/lifting lug (8) plcs. 90° typ.

2-6" S.U.M.O. Fitting Location (10" x 10") @ 180°



Corrosion Resistant Equipment CO., Inc.
 24445 S. Klemme Road ■ Crete, IL ■ 60417
 Phone (708) 367-1111 ■ Fax (708) 367-1160
 www.crecoinc.com

APPROVED: _____

SIGNATURE: _____ DATE: _____

DRAWING NOT VALID UNLESS SIGNED (all dimensions in inches)

PART # TANK: 5300600N--

* BASE FITTINGS TO BE LEFT INSTALLED AT TIME OF SHIPMENT PER SII PROCEDURE
 * Consult Snyder's Guidelines for Use and Installation prior to delivery.
 Available on-line at www.snydernet.com

8,000 GALLON FLAT BOTTOM TANK

REF#: 0000

03/29/11