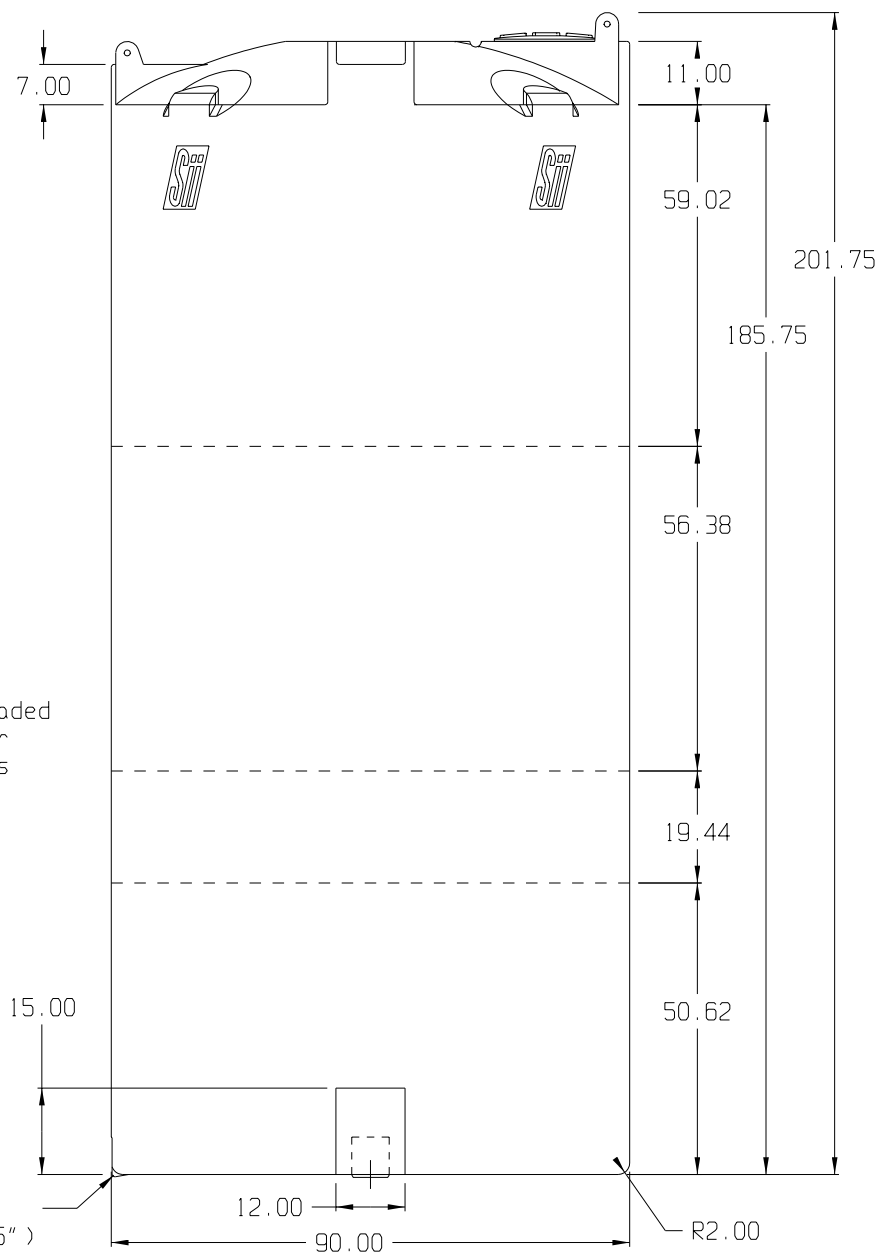
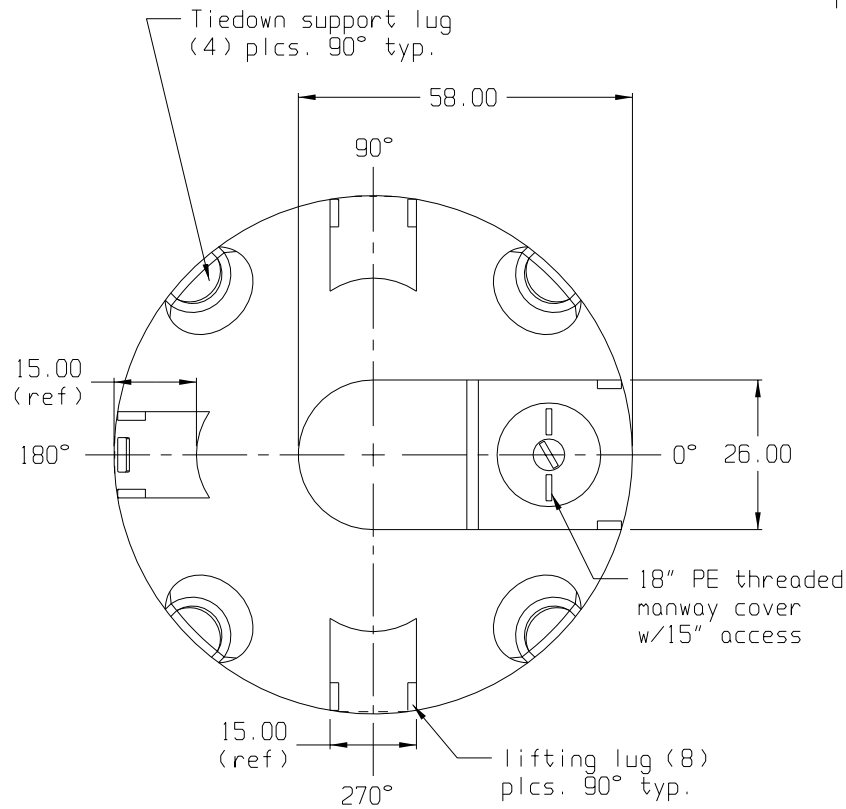


SNYDER INDUSTRIES INC.



Corrosion Resistant Equipment CO., Inc.
 24445 S. Klemme Road ■ Crete, IL ■ 60417
 Phone (708) 367-1111 ■ Fax (708) 367-1160
 www.crecolnc.com

2" -3" S.U.M.O.
 flat (6.5" x 6.5")
 @ 90°, 180°

(all dimensions in inches)

BASE FITTINGS TO BE LEFT INSTALLED AT TIME OF SHIPMENT PER Sii PROCEDURE

PART # TANK: 5480--L

4,900 GALLON FLAT BOTTOM TANK

REF#: 0000

06/24/02