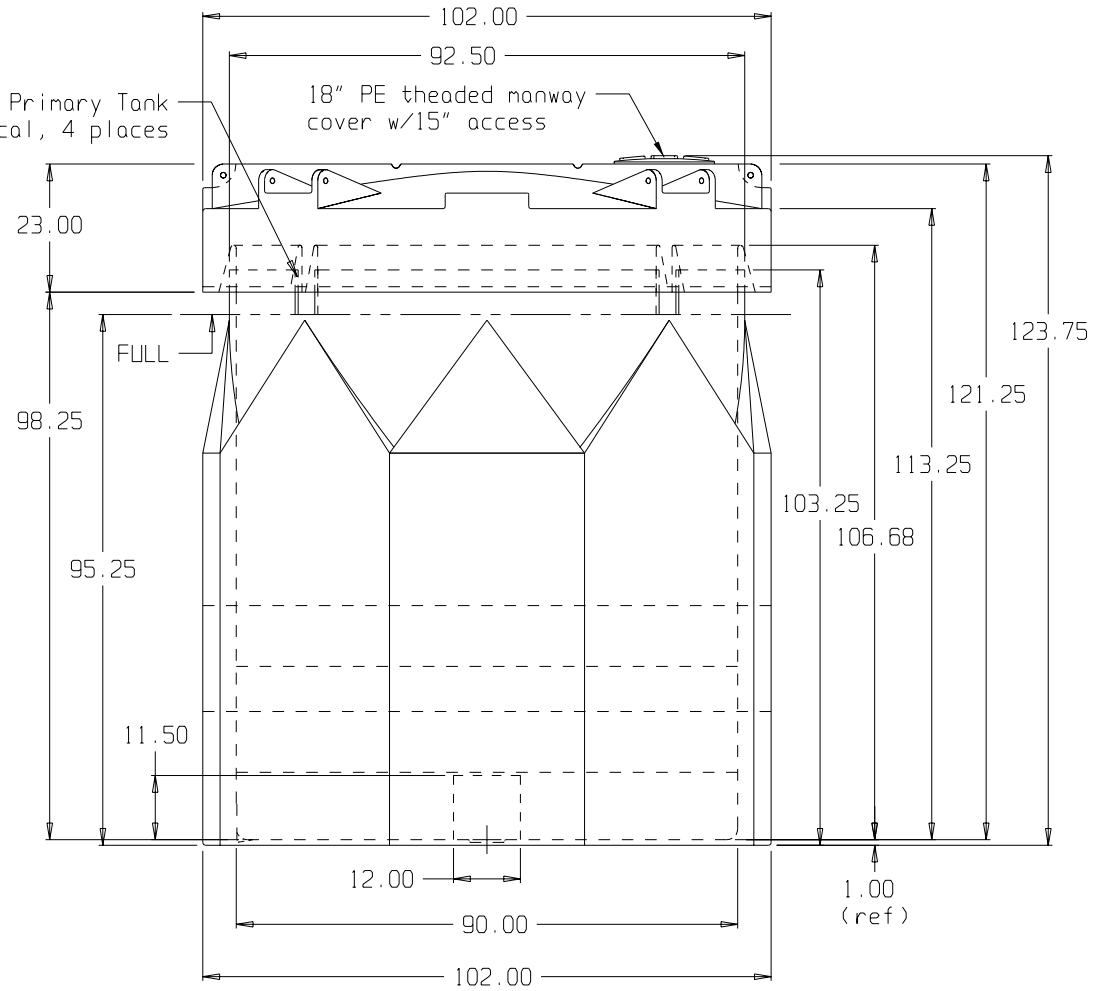


Notch to Primary Tank  
90° typical, 4 places



**Corrosion Resistant Equipment CO., Inc.**

24445 S. Klemme Road ■ Crete, IL ■ 60417  
 Phone (708) 367-1111 ■ Fax (708) 367-1160  
 www.crecoinc.com

(all dimensions in inches)

PART #	PRIMARY:	5580--
	CONTAINMENT:	5510--
REF#:	0000	07/29/02

BASE FITTINGS TO BE LEFT INSTALLED AT TIME OF SHIPMENT PER SII PROCEDURE

2,500 GALLON CAPTOR CONTAINMENT SYSTEM