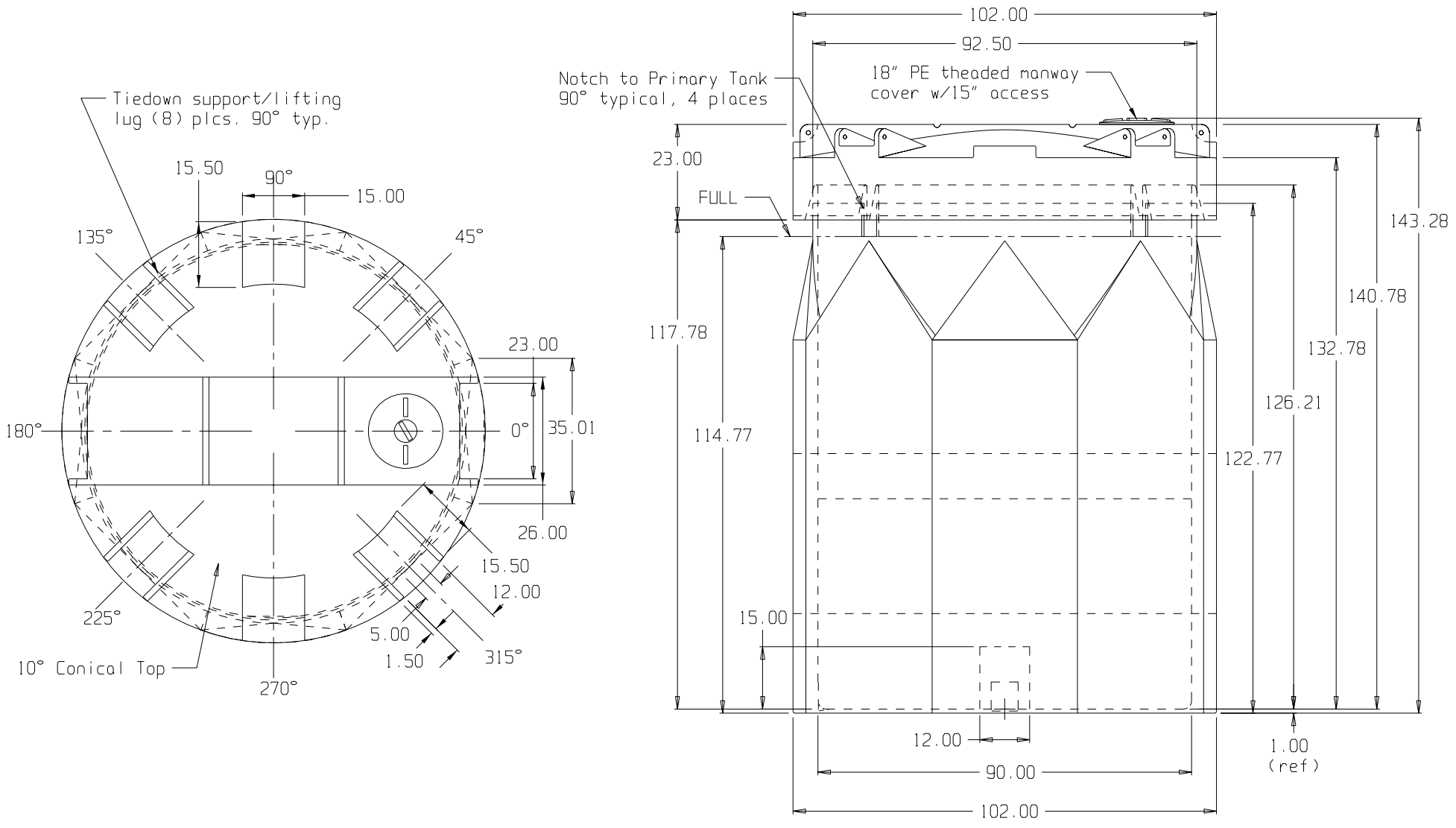


NOTE: C/L HEIGHT FOR FITTING IN UFO TRANSITION FITTING IS 10".



Corrosion Resistant Equipment CO., Inc.
 24445 S. Klemme Road ■ Crete, IL ■ 60417
 Phone (708) 367-1111 ■ Fax (708) 367-1160
 www.crecoinc.com

(all dimensions in inches)

PART #	PRIMARY:	5590--
	CONTAINMENT:	5520--
REF#:	0000	06/26/02

BASE FITTINGS TO BE LEFT INSTALLED AT TIME OF SHIPMENT PER SII PROCEDURE

3,000 GALLON CAPTOR CONTAINMENT SYSTEM