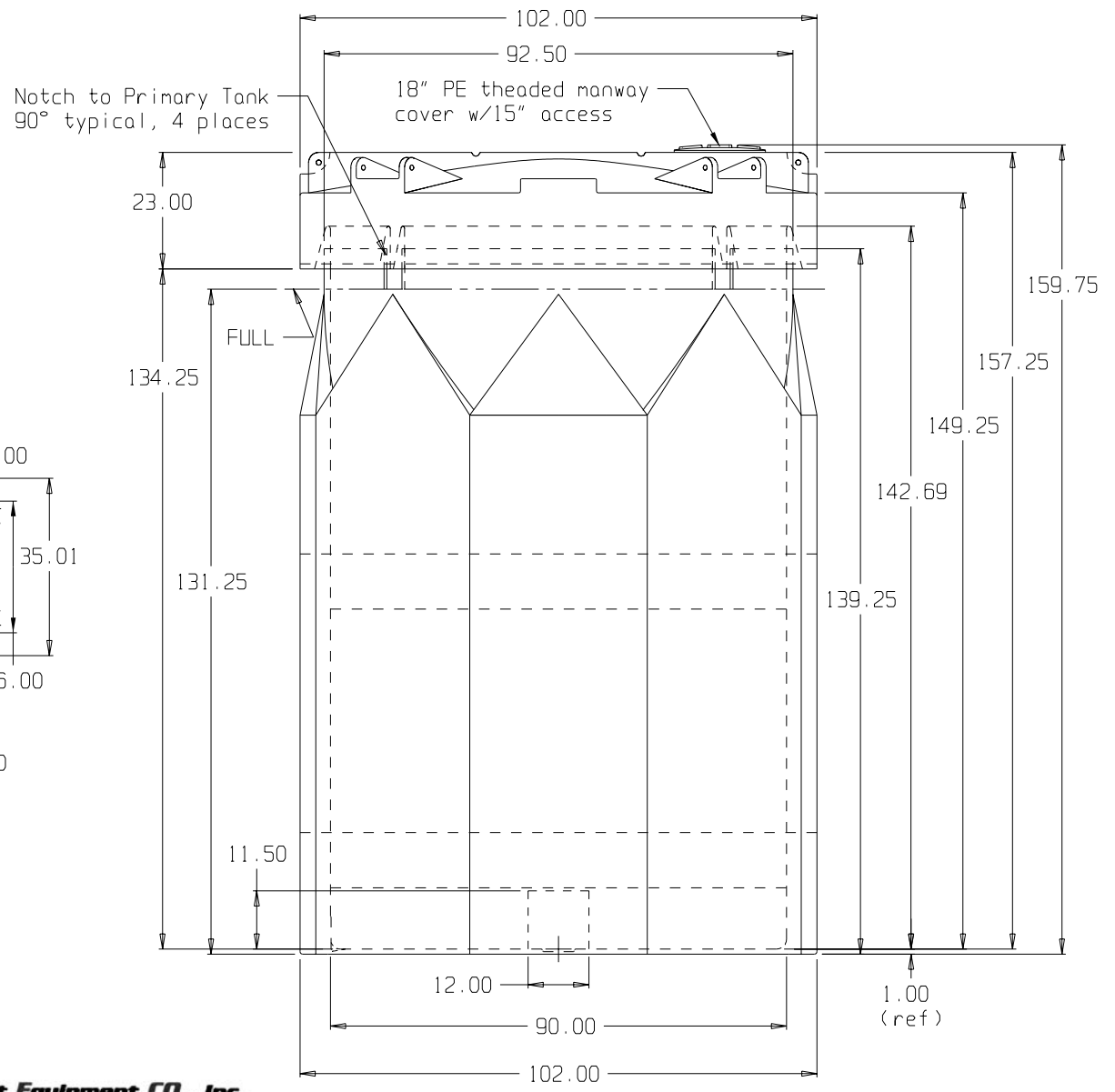
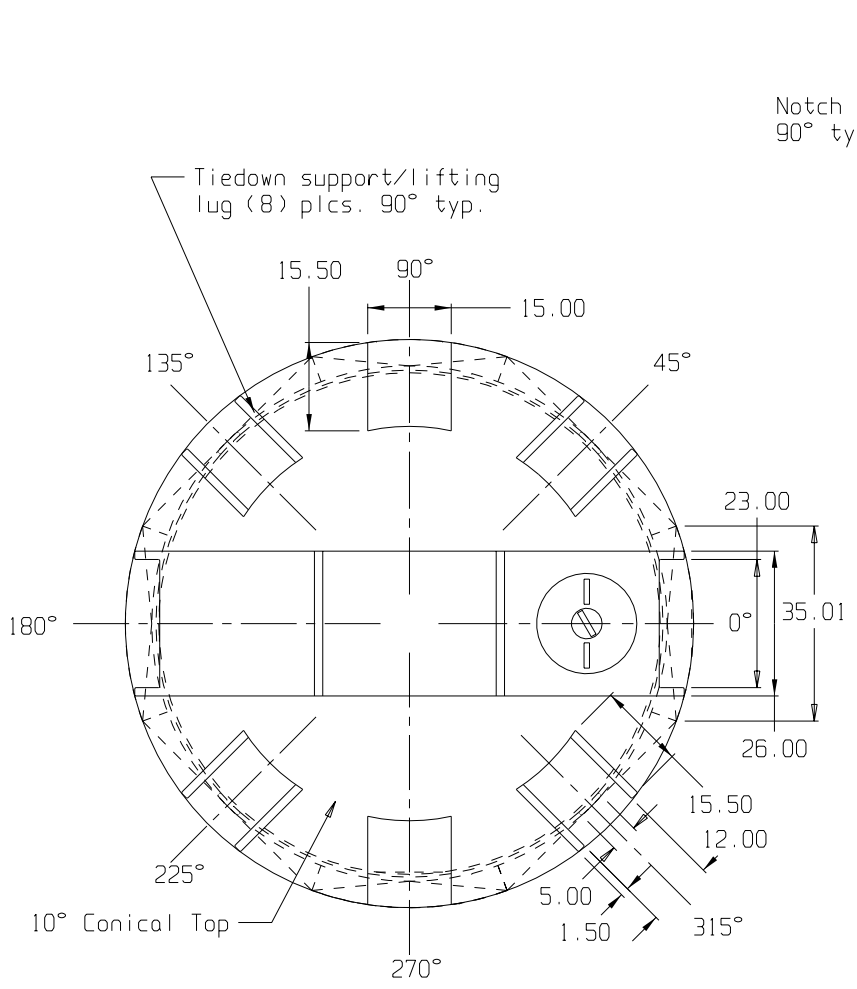


NOTE: C/L HEIGHT FOR FITTING IN UFO TRANSITION FITTING IS 10".



**Corrosion Resistant Equipment CO., Inc.**  
 24445 S. Klemme Road ■ Crete, IL ■ 60417  
 Phone (708) 367-1111 ■ Fax (708) 367-1160  
 www.crecoinc.com

(all dimensions in inches)

PART #	PRIMARY:	5600--
	CONTAINMENT:	5530--
REF#:	0000	09/05/02

BASE FITTINGS TO BE LEFT INSTALLED AT TIME OF SHIPMENT PER Sii PROCEDURE

# 3,500 GALLON CAPTOR CONTAINMENT SYSTEM

SNYDER INDUSTRIES INC.