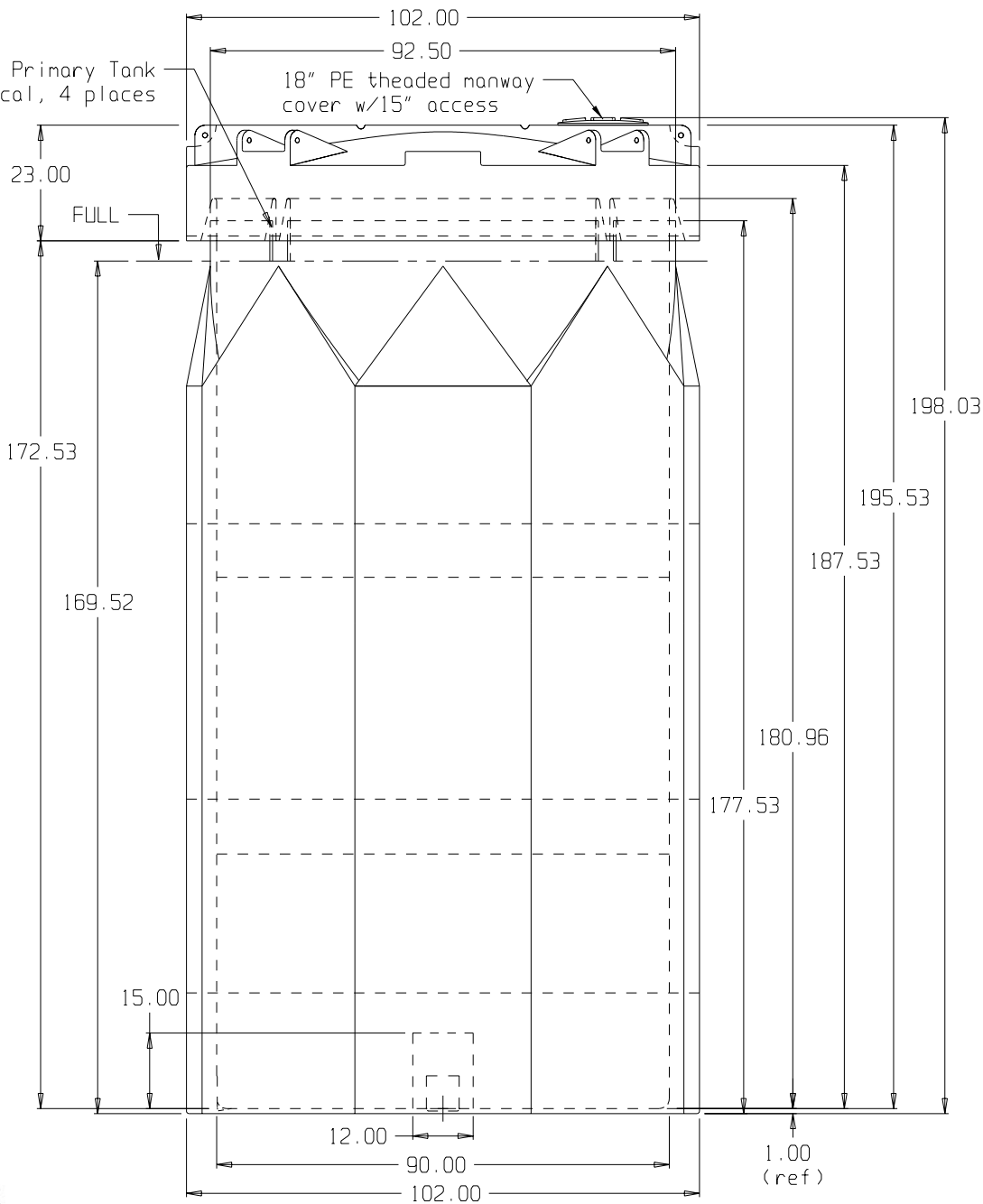


Notch to Primary Tank
90° typical, 4 places



Corrosion Resistant Equipment CO., Inc.

24445 S. Klemme Road ■ Crete, IL ■ 60417
Phone (708) 367-1111 ■ Fax (708) 367-1160
www.crecoinc.com

(all dimensions in inches)

PART # PRIMARY: 5620--

CONTAINMENT: 5550--

REF#: 0000

10/24/02

BASE FITTINGS TO BE LEFT INSTALLED AT TIME OF SHIPMENT PER Sii PROCEDURE

4,500 GALLON CAPTOR CONTAINMENT SYSTEM