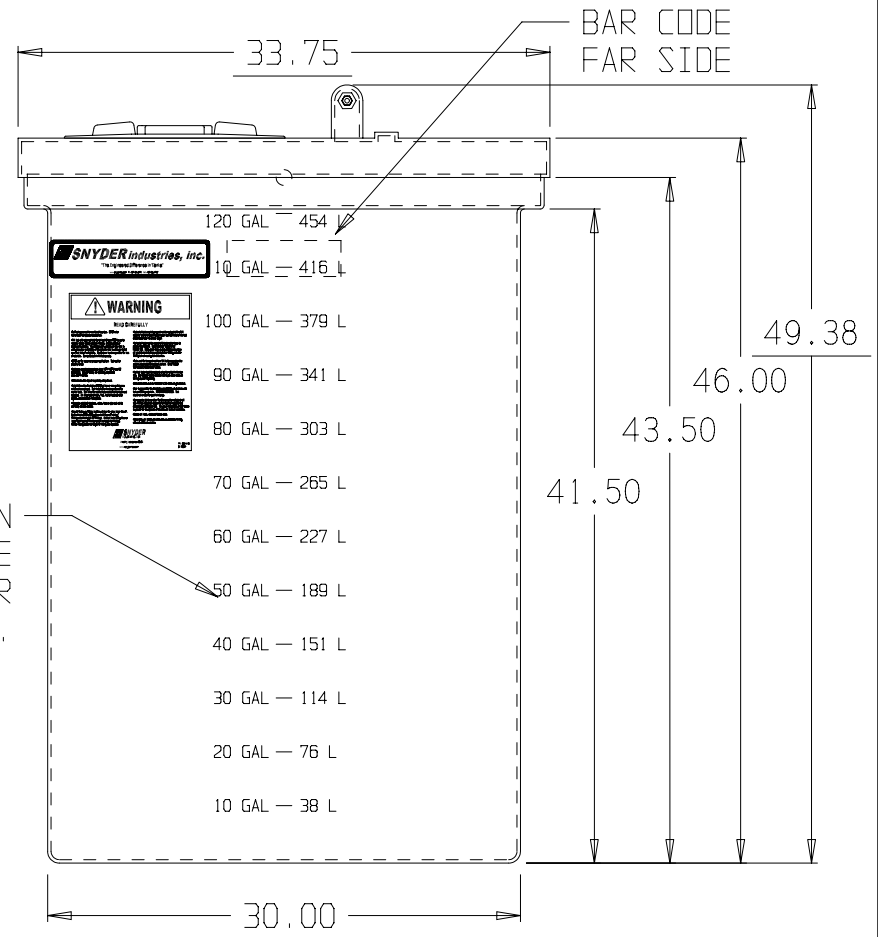


MOLDED IN GALLONAGE AND LITER MARKINGS.



**Corrosion Resistant Equipment CO., Inc.**

24445 S. Klemme Road ■ Crete, IL ■ 60417  
 Phone (708) 367-1111 ■ Fax (708) 367-1160  
[www.crecoinc.com](http://www.crecoinc.com)

- \* BASE FITTINGS TO BE LEFT INSTALLED AT TIME OF SHIPMENT PER SII PROCEDURE
  - \* Consult Snyder's Guidelines for Use and Installation prior to delivery.
- Available on-line at [www.snydernet.com](http://www.snydernet.com)

(all dimensions in inches)

PART # TANK: 5700000N--L

120 GALLON VCT X 30 VERTICAL CLOSED TOP TANK

REF#: 00000

03/25/04