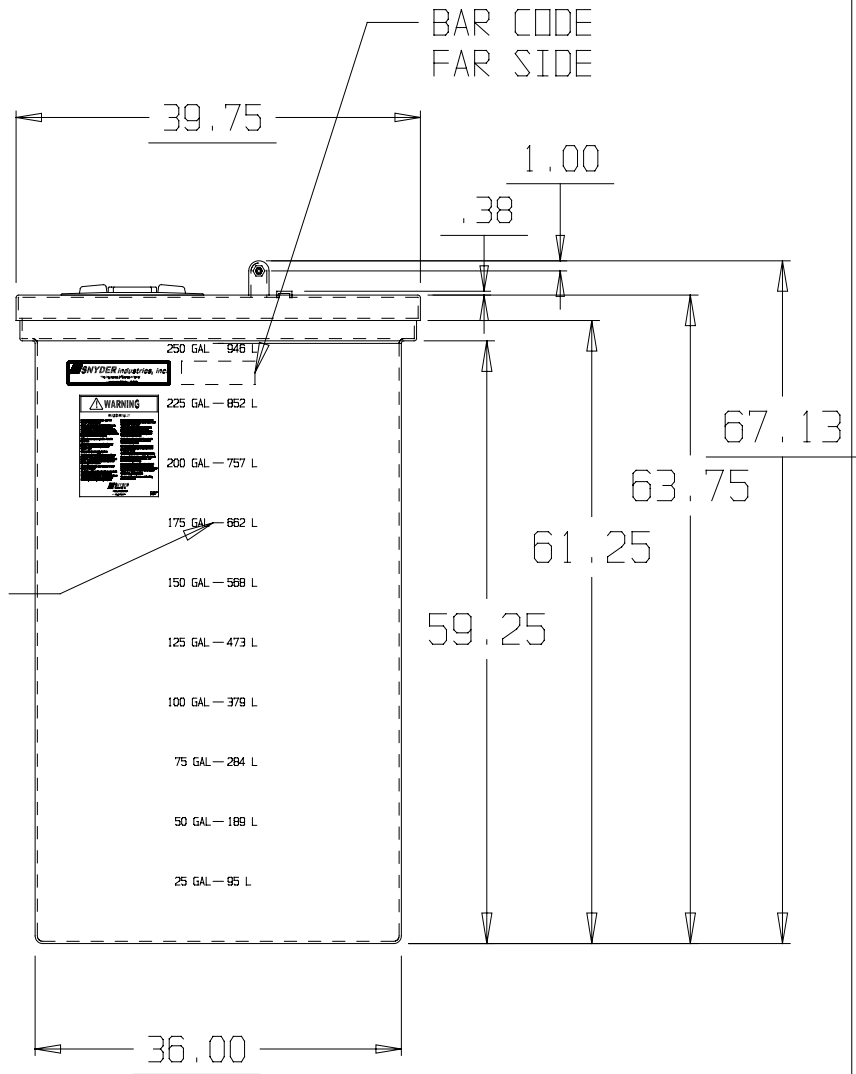


MOLDED IN
GALLONAGE
AND LITER
MARKINGS.



Corrosion Resistant Equipment CO., Inc.

24445 S. Klemme Road ■ Crete, IL ■ 60417

Phone (708) 367-1111 ■ Fax (708) 367-1160

www.crecoinc.com

- * BASE FITTINGS TO BE LEFT INSTALLED AT TIME OF SHIPMENT PER SII PROCEDURE
 - * Consult Snyder's Guidelines for Use and Installation prior to delivery.
- Available on-line at www.snydernet.com

(all dimensions in inches)

PART # TANK: 5730000N--L

250 GALLON VCT X 36 VERTICAL CLOSED TOP TANK

REF#: 00000

03/25/04