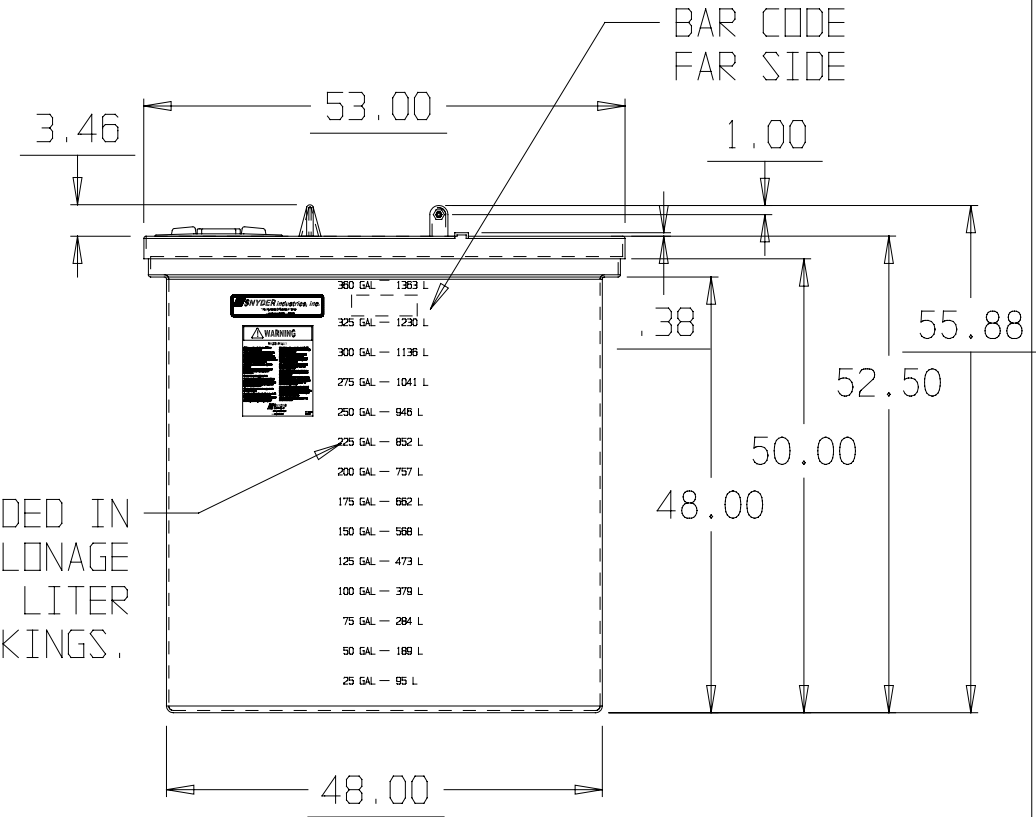


MOLDED IN GALLONAGE AND LITER MARKINGS.



**Corrosion Resistant Equipment CO., Inc.**  
 24445 S. Klemme Road ■ Crete, IL ■ 60417  
 Phone (708) 367-1111 ■ Fax (708) 367-1160  
 www.crecoinc.com

\* BASE FITTINGS TO BE LEFT INSTALLED AT TIME OF SHIPMENT PER SII PROCEDURE  
 \* Consult Snyder's Guidelines for Use and Installation prior to delivery.  
 Available on-line at [www.snydernet.com](http://www.snydernet.com)

(all dimensions in inches)  
 PART # TANK: 576000N--L

360 GALLON VCT X 48 VERTICAL CLOSED TOP TANK