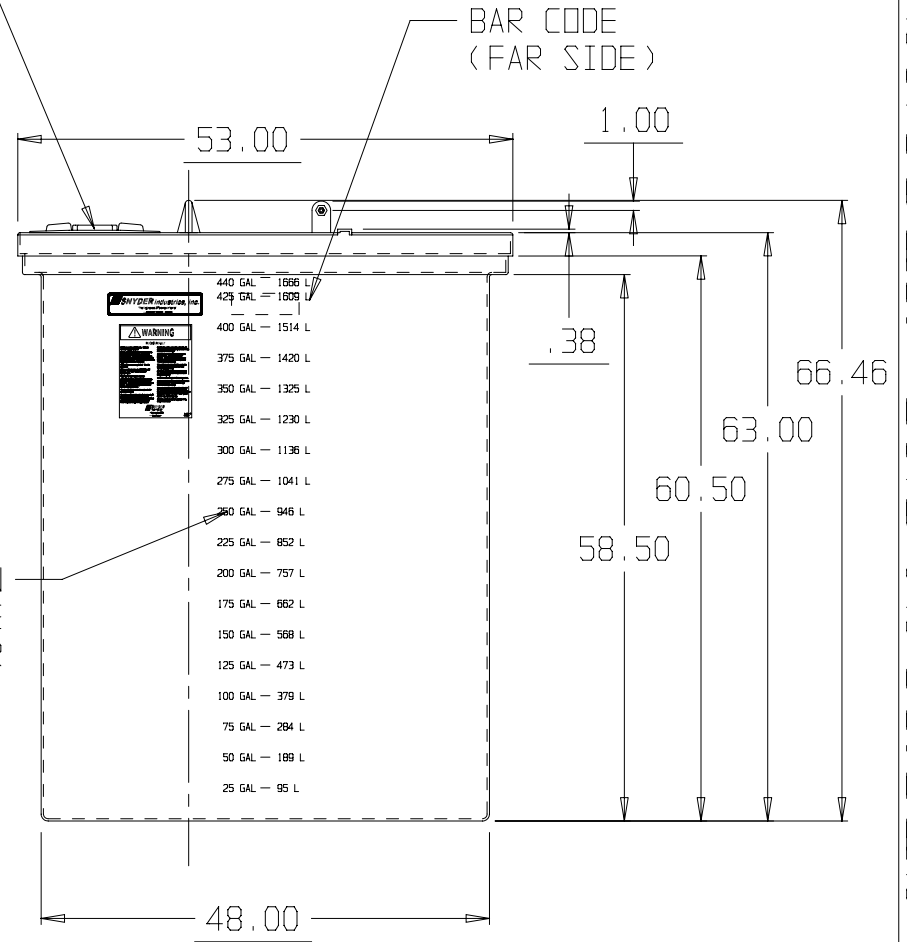
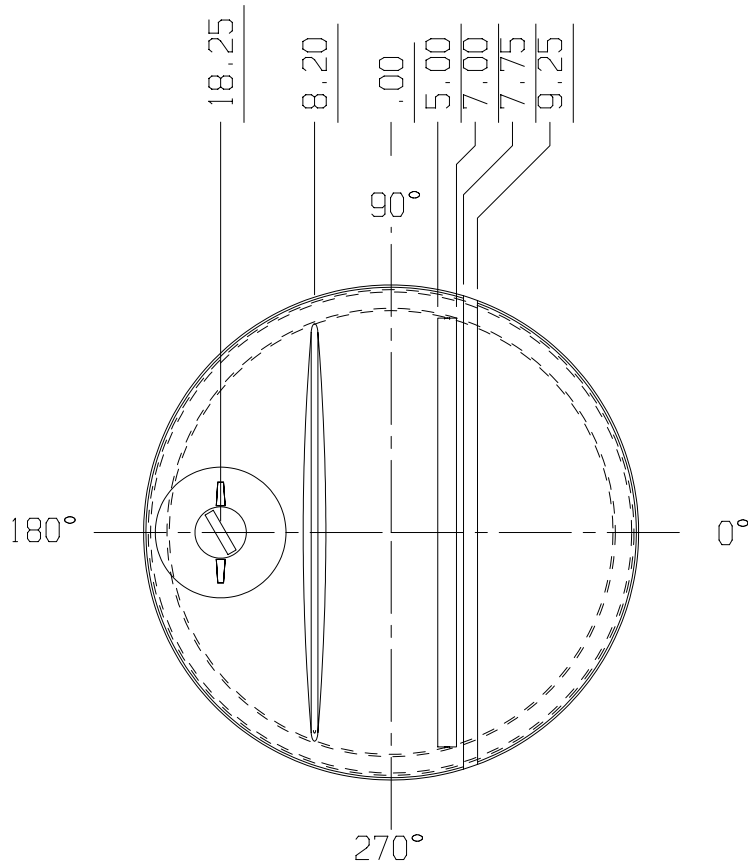


14" PE Threaded-Vented
Manway with 11-3/8" access



MOLDED IN
GALLONAGE
AND LITER
MARKINGS



Corrosion Resistant Equipment CO., Inc.

24445 S. Klemme Road ■ Crete, IL ■ 60417
Phone (708) 367-1111 ■ Fax (708) 367-1160
www.crecoinc.com

* BASE FITTINGS TO BE LEFT INSTALLED AT TIME OF SHIPMENT PER SII PROCEDURE
* Consult Snyder's Guidelines for Use and Installation prior to delivery.
Available on-line at www.snydernet.com

(all dimensions in inches)

PART # TANK: 5770000N--L

REF#: 00000

03/25/04

440 GALLON VCT X 48 VERTICAL CLOSED TOP TANK