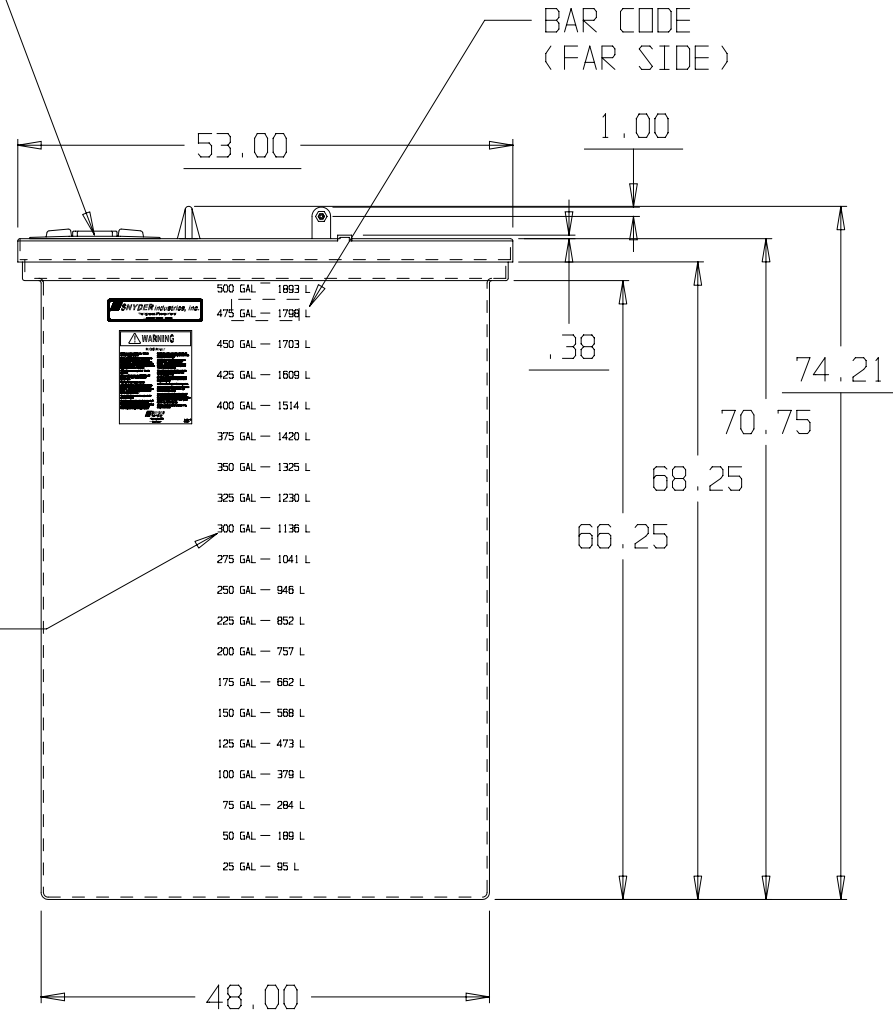
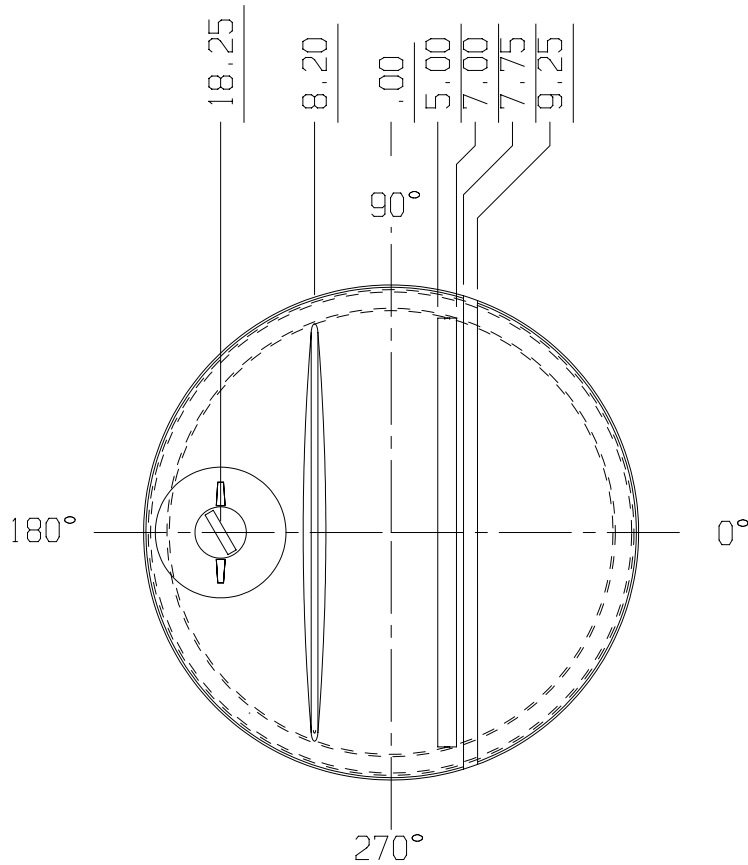


14" PE Threaded-Vented
Manway with 11-3/8" access



MOLDED IN
GALLONAGE
AND LITER
MARKINGS

* BASE FITTINGS TO BE LEFT INSTALLED AT TIME OF SHIPMENT PER SII PROCEDURE
* Consult Snyder's Guidelines for Use and Installation prior to delivery.
Available on-line at www.snydernet.com

(all dimensions in inches)

PART # TANK: 578000N--L

500 GALLON VCT X 48 VERTICAL CLOSED TOP TANK

REF#: 00000

03/25/04