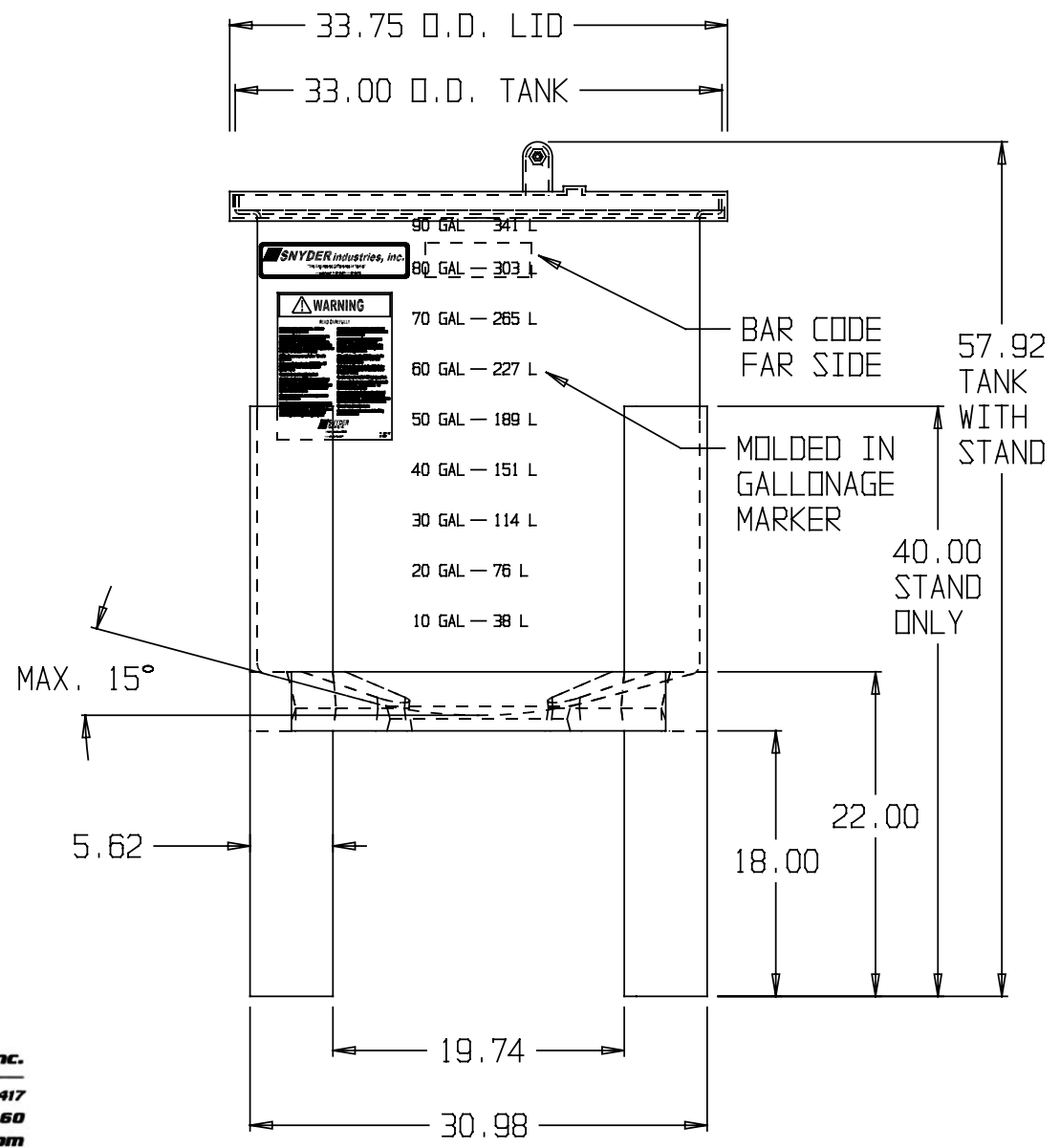


REMOVABLE 33.75" DIA. LID



Corrosion Resistant Equipment CO., Inc.
 24445 S. Klemme Road ■ Crete, IL ■ 60417
 Phone (708) 367-1111 ■ Fax (708) 367-1160
 www.crecoinc.com

TOP VIEW



FRONT VIEW

(all dimensions in inches)

BASE FITTINGS TO BE LEFT INSTALLED AT TIME OF SHIPMENT PER SII PROCEDURE

90 GALLON OPEN TOP TOTAL DRAIN TANK W/30" x 18" STAND

PART #	TANK: 580000N--L
	STAND: 1690001N--L
REF#:	0000
	11/05/03