

REMOVABLE 33.75" DIA. LID



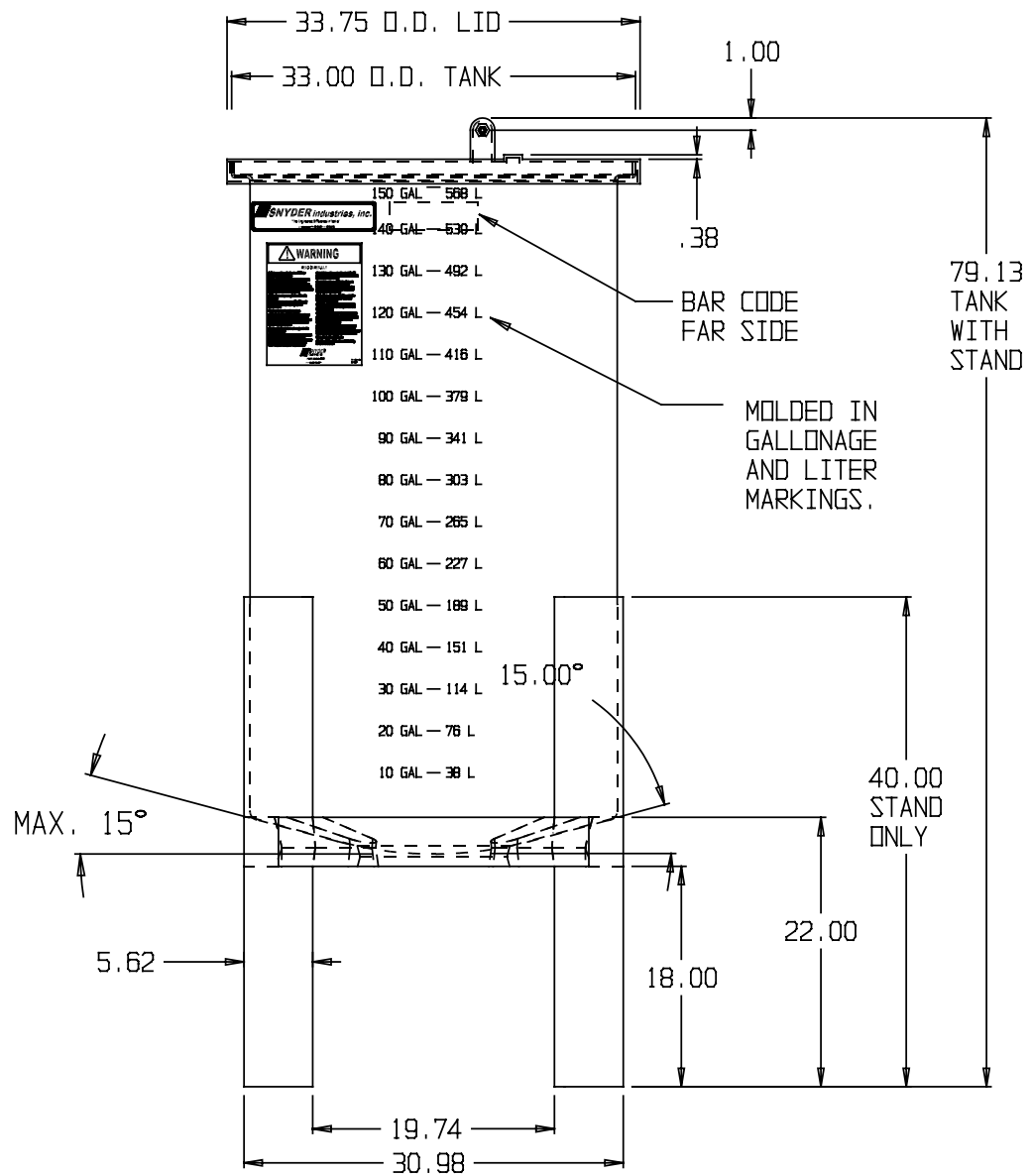
Corrosion Resistant Equipment CO., Inc.

24445 S. Klemme Road ■ Crete, IL ■ 60417

Phone (708) 367-1111 ■ Fax (708) 367-1160

www.crecoinc.com

TOP VIEW



FRONT VIEW

(all dimensions in inches)

PART # TANK: 582000N--L

STAND: 1690001N--L

REF#: 0000

11/05/03

BASE FITTINGS TO BE LEFT INSTALLED AT TIME OF SHIPMENT PER SII PROCEDURE

150 GALLON OPEN TOP TOTAL DRAIN TANK W/30"x18" STAND