



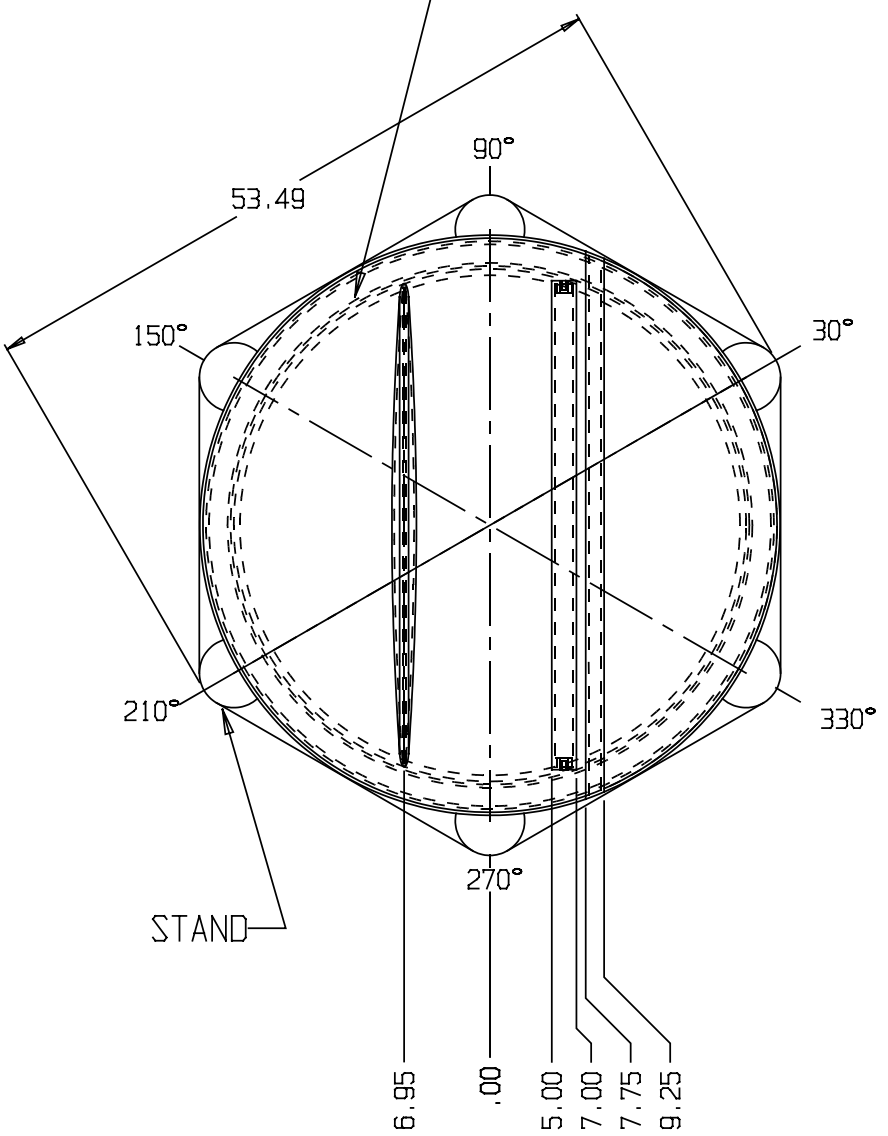
Corrosion Resistant Equipment CO., Inc.

24445 S. Klemme Road • Crete, IL • 60417

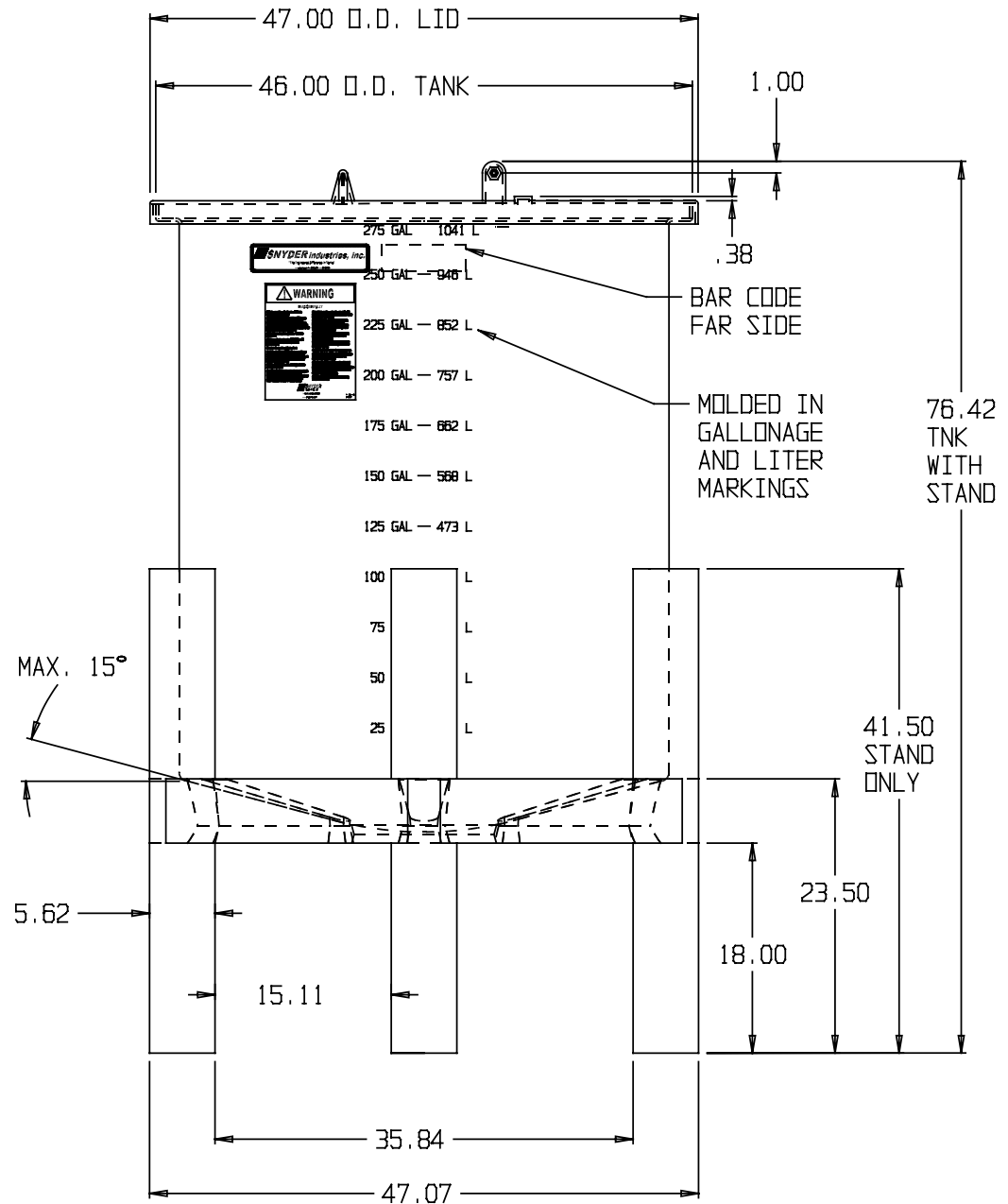
Phone (708) 367-1111 • Fax (708) 367-1160

www.crecolnc.com

REMOVABLE 47" DIA. LID



TOP VIEW



FRONT VIEW

(all dimensions in inches)

PART # TANK: 585000N--L

STAND: 1750001N--L

REF#: 0000

11/05/03

SNYDER INDUSTRIES INC.

BASE FITTINGS TO BE LEFT INSTALLED AT TIME OF SHIPMENT PER SII PROCEDURE

275 GALLON OPEN TOP TOTAL DRAIN TANK W/42" x 18" STAND