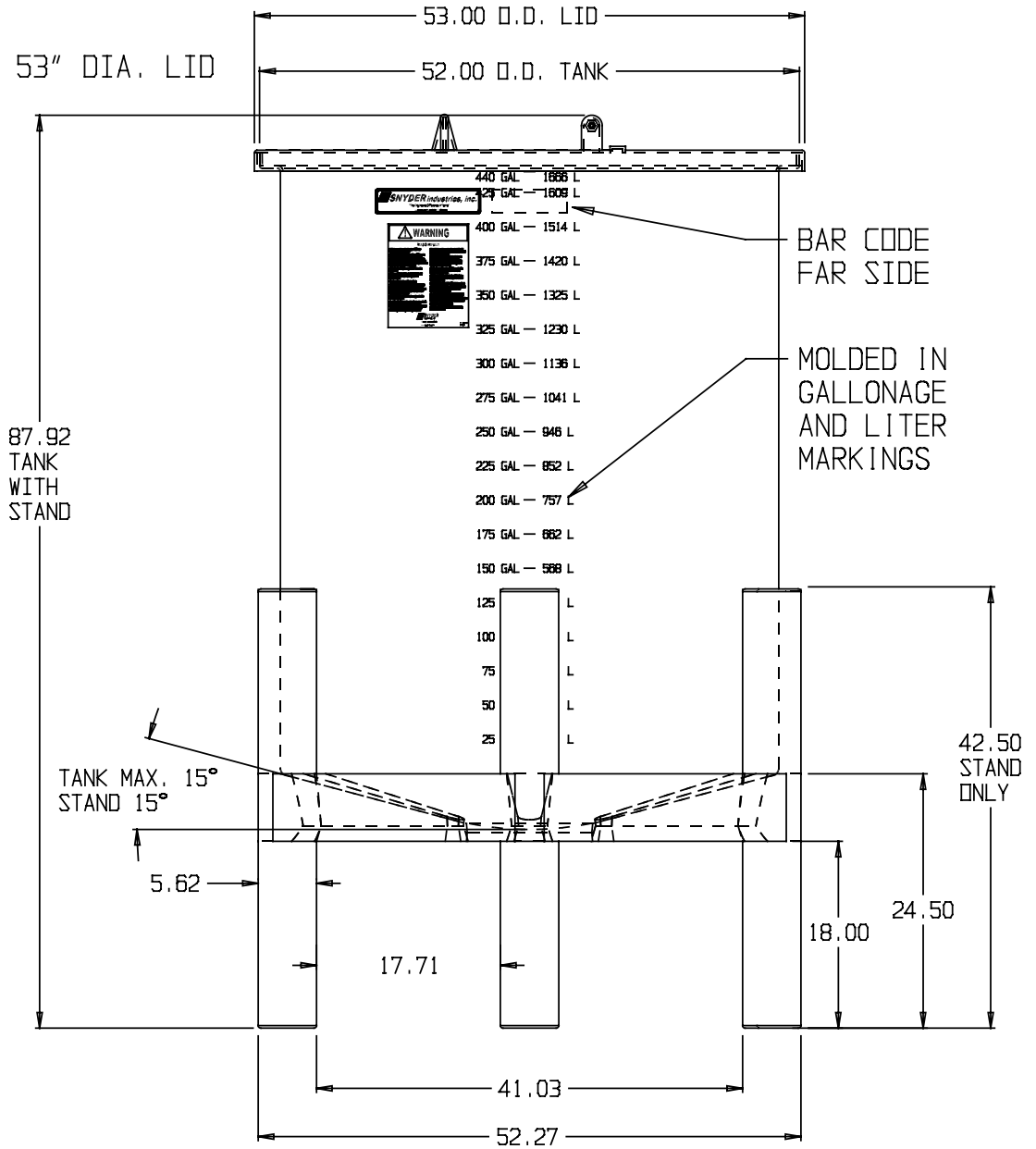


TOP VIEW



FRONT VIEW

Corrosion Resistant Equipment CO., Inc.
 24445 S. Klemme Road ■ Crete, IL ■ 60417
 Phone (708) 367-1111 ■ Fax (708) 367-1160
 www.crecoinc.com



440 GAL	1666 L
425 GAL	1609 L
400 GAL	1514 L
375 GAL	1420 L
350 GAL	1325 L
325 GAL	1230 L
300 GAL	1136 L
275 GAL	1041 L
250 GAL	946 L
225 GAL	852 L
200 GAL	757 L
175 GAL	662 L
150 GAL	568 L
125 L	
100 L	
75 L	
50 L	
25 L	

BAR CODE FAR SIDE
 MOLDED IN GALLONAGE AND LITER MARKINGS

(all dimensions in inches)

BASE FITTINGS TO BE LEFT INSTALLED AT TIME OF SHIPMENT PER SII PROCEDURE

440 GALLON OPEN TOP TOTAL DRAIN TANK W/48" x 18" STAND

PART # TANK: 588000N--L
 STAND: 1760001N--L
 REF#: 0000 11/05/03