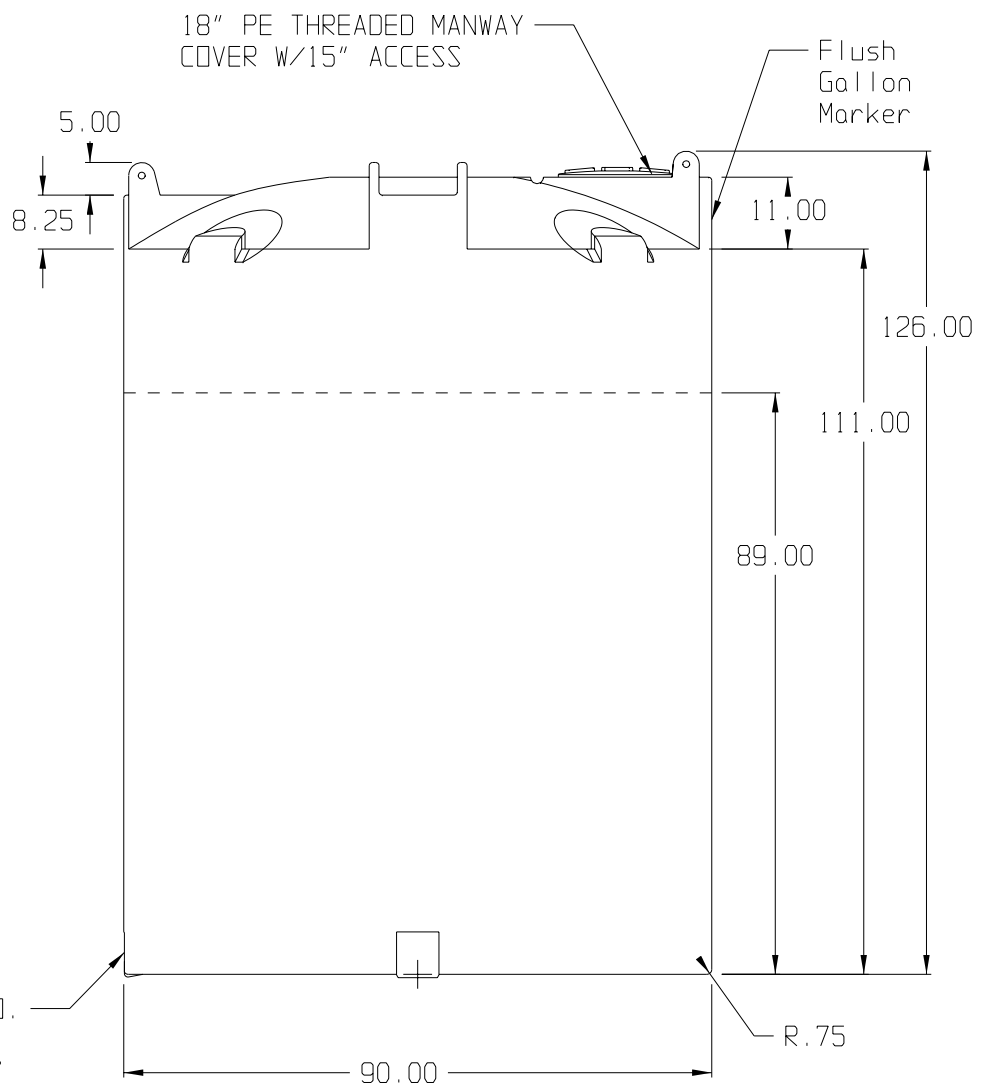


NOTE:  
SOME GALLONAGE MARKS MAY BE  
REMOVED FOR FITTING PLACEMENT.

2"-3" S.U.M.O.  
Location Typ  
e 180° & 270°



**Corrosion Resistant Equipment CO., Inc.**  
24445 S. Klemme Road ■ Crete, IL ■ 60417  
Phone (708) 367-1111 ■ Fax (708) 367-1160  
[www.crecoinc.com](http://www.crecoinc.com)

(all dimensions in inches)

PART # TANK: 8160--MT

REF#: 0000

06/26/02

BASE FITTINGS TO BE LEFT INSTALLED AT TIME OF SHIPMENT PER Sii PROCEDURE

# 3,000 GALLON FLAT BOTTOM TANK