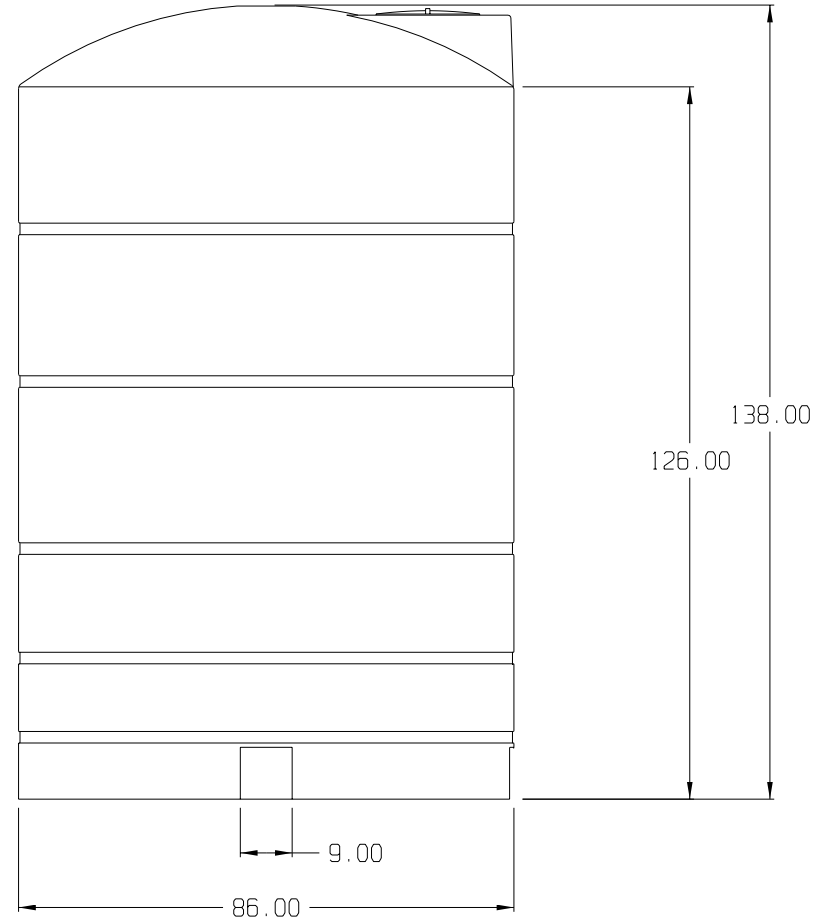
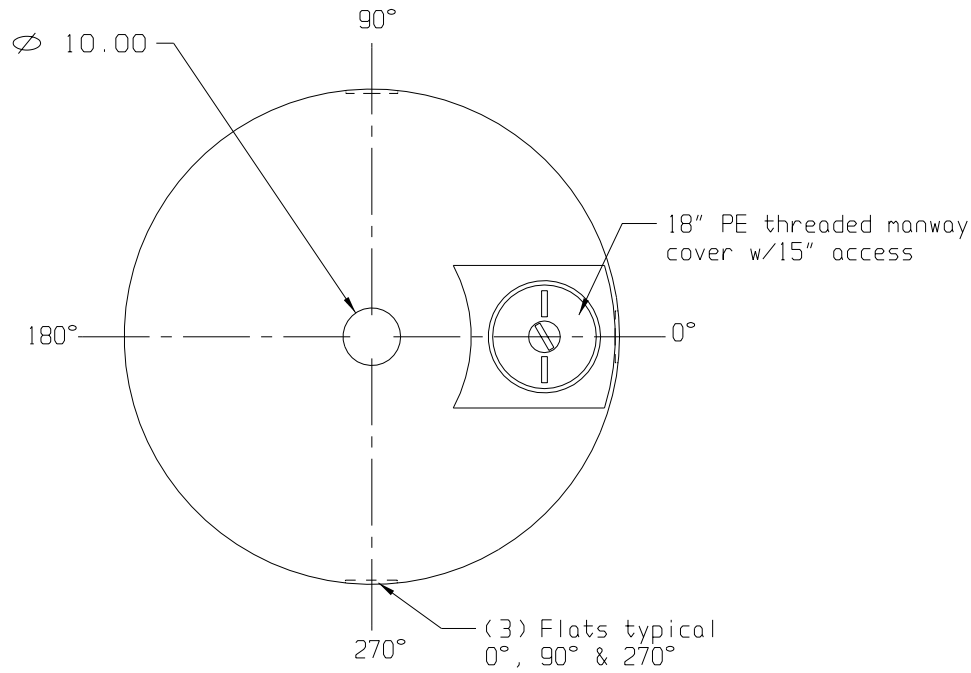


NOTE: THE LARGEST THREADED MANWAY THIS TANK WILL ACCEPT IS 18"



Corrosion Resistant Equipment CO., Inc.

24445 S. Klemme Road ■ Crete, IL ■ 60417
 Phone (708) 367-1111 ■ Fax (708) 367-1160
 www.crecoinc.com

ALL FITTINGS ARE INSTALLED THEN REMOVED AND REPACKAGED IN ORDER TO ELIMINATE DAMAGE IN SHIPMENT

(all dimensions in inches)

PART # TANK: 8170--MT

3,200 GALLON VERTICAL TANK

REF#: 0000

00/00/00

SNYDER INDUSTRIES INC.