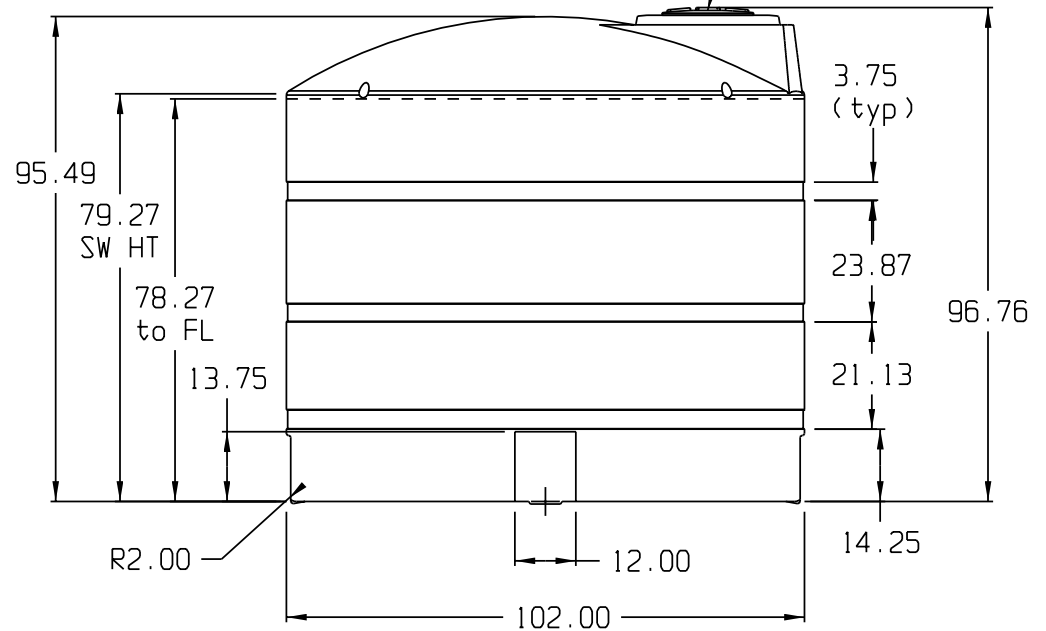


18" PE Threaded-Vented
Manway with 15" access



Corrosion Resistant Equipment CO., Inc.

24445 S. Klemme Road ■ Crete, IL ■ 60417
Phone (708) 367-1111 ■ Fax (708) 367-1160
www.crecoinc.com

(all dimensions in inches)

PART # TANK: 8390--MT

REF#: 0000

05/13/03

BASE FITTINGS TO BE LEFT INSTALLED AT TIME OF SHIPMENT PER SII PROCEDURE

2,650 VERTICAL STORAGE TANK