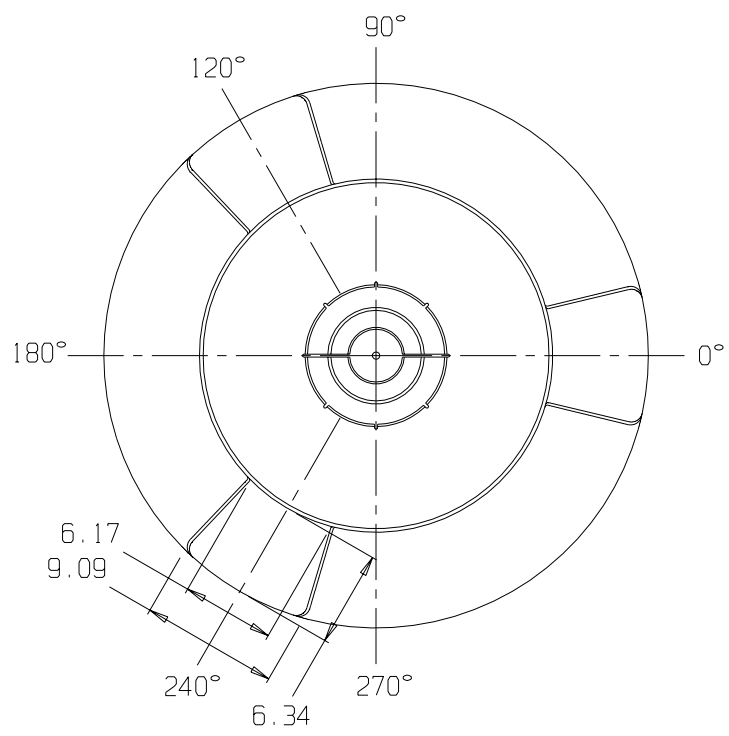
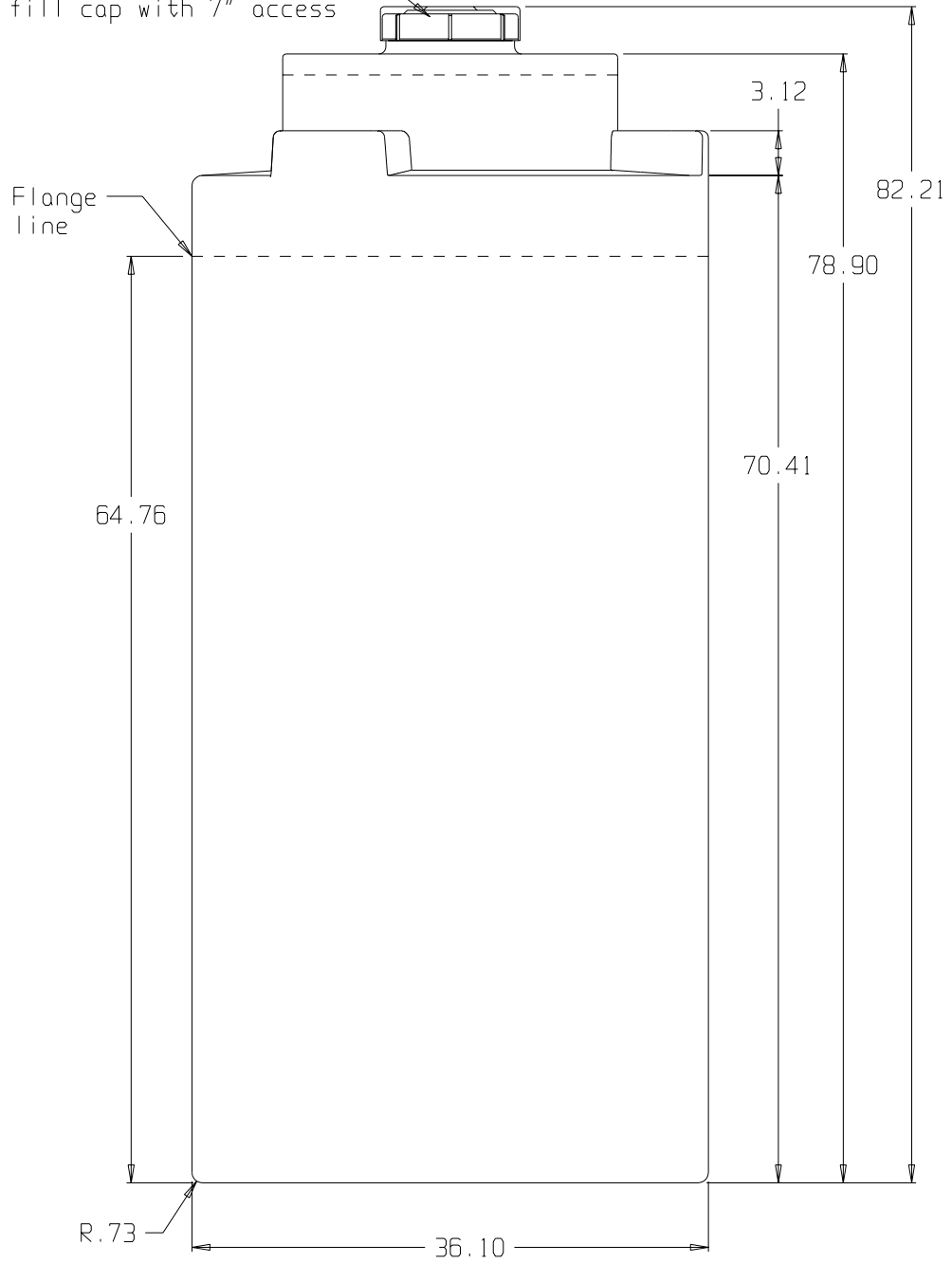


10" PE Threaded-vented
fill cap with 7" access



Corrosion Resistant Equipment CO., Inc.
 24445 S. Klemme Road ■ Crete, IL ■ 60417
 Phone (708) 367-1111 ■ Fax (708) 367-1160
 www.crecoinc.com

(all dimensions in inches)
 PART # TANK: H163010000--
 REF#: 0000

BASE FITTINGS TO BE LEFT INSTALLED AT TIME OF SHIPMENT PER Sii PROCEDURE

300 GALLON FLAT BOTTOM TANK